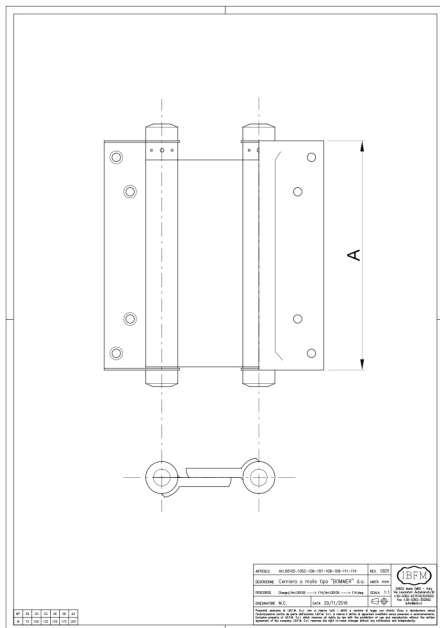


DECLARATION OF PERFORMANCES

HARMONISED TECHNICAL SPECIFICATION

DIN 18265, UE regulation n.305/2011, UE delegated regulation n.568/2014 - 574/2014



NAME OF PRODUCT TYPE:
ART. 105 - 105/Z - 106 - 107 - 108 - 109 - 111 - 114 - 117

DIMENSION
29/75 - 30/100 - 33/125 - 36/150 - 39/175 - 42/200 - **28/50**

UNIQUE IDENTIFICATION CODE
- -

DESCRIPTION
Double acting spring hinges "Bommer" type

INTENDED USE
Internal doors

MANUFACTURER
IBFM
Industria Briantea Ferramenta Minuterie
Via Lavoratori Autobianchi, Lotto 1B | 20832 Desio | ITALY

SYSTEM FOR THE ASSESSMENT OF THE CONSTANCY OF PERFORMANCE
System 3

| GRANDEZZA - GRANDEUR - SIZE | | N° | 28 | 29 | 30 | 33 | 36 | 39 | 42 |
|--|-----------------------------|------|-------|-------|-------|-------|-------|-------|-------|
| LUNGHEZZA - LONGUER - LENGTH | | A mm | 50 | 75 | 100 | 125 | 150 | 175 | 200 |
| PER PORTE POUR PORTES FOR DOORS POR PUERTAS | LARGHEZZA-LARGEUR-WIDTH | | 600 | 600 | 700 | 700 | 750 | 850 | 1000 |
| | SPESSORE-EPaisseur-TICKNESS | | 18-25 | 18-25 | 25-30 | 30-35 | 35-40 | 40-45 | 45-50 |
| | Kg. PESO-POIDS-WEIGHT/PAIR | | 10 | 15 | 22 | 27 | 40 | 55 | 70 |

***RESISTANCE TEST:**

The testing is conduct on 200'000 cycles of opening and closing following our internal test report n° TEST/INT/03/11/2016

****TEMPERATURE RESISTANCE :**

Lower acceptable temperature -10°C, Hightest acceptable temperature 40° C.

*****CORROSION RESISTANCE :**

the corrosion resistance hasn't been stated as it is depending on the surface treatment/finishing requested (electro galvanized/lackered/others).

The performances are intended for hinges correctly positioned and fixed, in correct line and regularly and periodically maintained and lubricated, in relation to the use, the positioning and the enviroment conditions.

In order to obtain a longer durability of the hinges, these factors can affect very much the capacity of the hinges and their safety:

- The position of the hinges on the door (higher and lower);
- The correct mounting, screwing or welding of them;
- The regular lubrication, cleaning and maintenance of the hinges, avoiding rust, dust, etc...

We suggest normal scheduled inspection cleaning and maintenance or eventually the substitution if damaged.

All the declared characteristics and performances refer to a product correctly installed by qualified personnel and regularly inspected, maintained and lubricated.

We hereby declare that the above items are produced in Italy by our firm in conformity with the existing norms in force.

Signed for and on behalf of the manufacturer by
Daniele Fumagalli



Desio, Luglio 2016

